

CONC R63 60 W 230 V E27

CONCENTRA SPOT R63 | Incandescent lamps with reflector R63 for accent lighting



- Accent lighting

Technical data

Electrical data

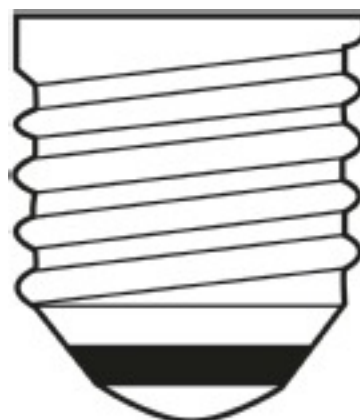
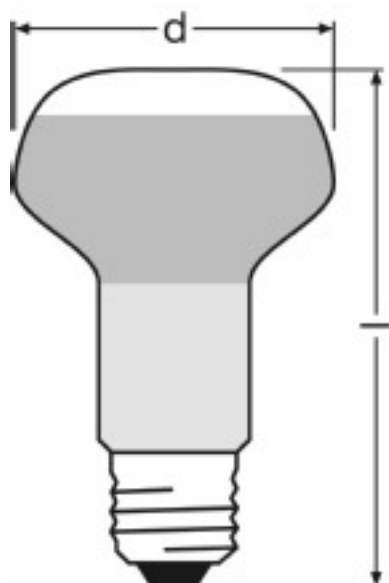
| | |
|-----------------|-------|
| Rated wattage | 60 W |
| Nominal wattage | 60 W |
| Nominal voltage | 230 V |

Light technical data

| | |
|--------------------|--------|
| Luminous intensity | 765 cd |
| Beam angle | 30 ° |
| Starting time | 0.0 s |

Dimensions & weight

| | |
|-----------------|----------|
| Diameter | 63.0 mm |
| Overall length | 104.0 mm |
| Mounting length | 75.0 mm |
| Outer bulb | R63B |



E27
IEC 7004-21

Product line drawing with letters

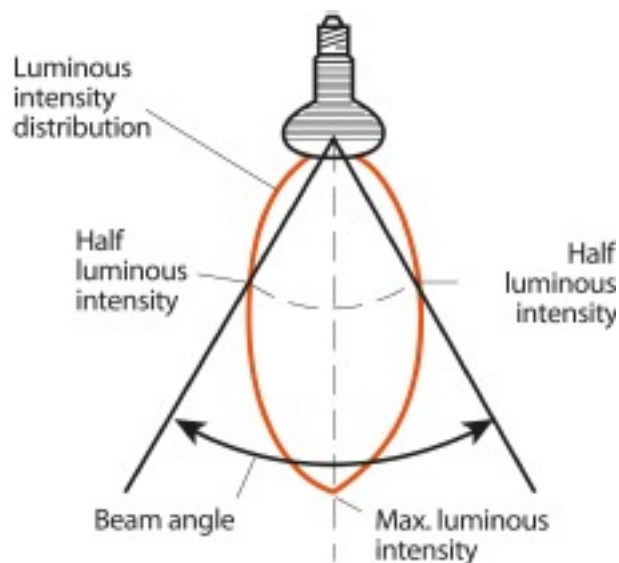
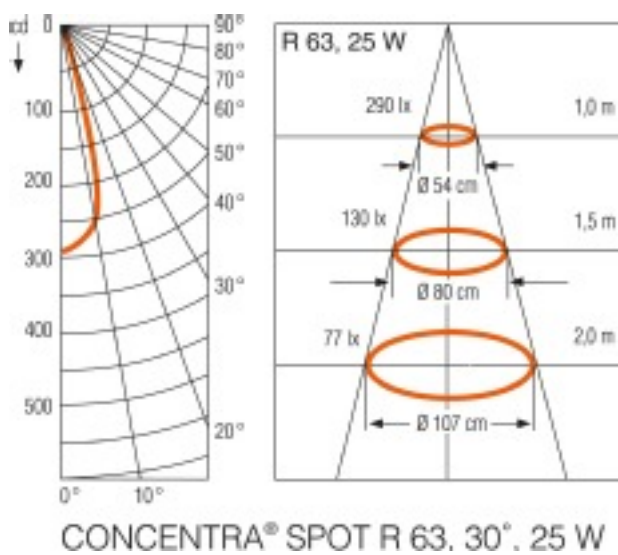
Base

Colors & materials

| | |
|--------------|-----|
| Mercury-free | Yes |
|--------------|-----|

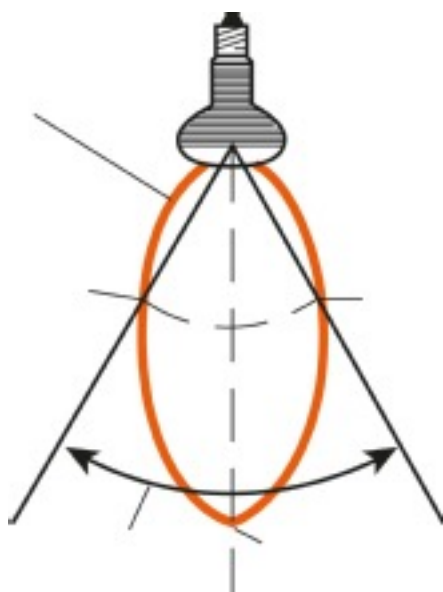
Additional product data

| | |
|-----------------------------|-----|
| Base (standard designation) | E27 |
|-----------------------------|-----|



Luminous intensity distribution

Luminous intensity distribution



Luminous intensity distribution



Country specific categorizations

| | |
|-------|----------------------|
| ILCOS | IRR-60-230-E27-63/30 |
|-------|----------------------|

Logistical Data

| Product code | Packaging unit (Pieces/Unit) | Dimensions (height x width x length) | Gross weight | Volume |
|---------------|---------------------------------|---|--------------|-----------------------|
| 4050300093826 | Blister 1 | 93 mm x 65 mm x 125 mm | 38.60 g | 0.76 dm ³ |
| 4050300118284 | Shipping carton box 10 | 146 mm x 156 mm x 416 mm | 535.00 g | 9.47 dm ³ |
| 4050300323275 | Folding carton box 1 | 64 mm x 61 mm x 107 mm | 37.33 g | 0.42 dm ³ |
| 4050300102795 | Shipping carton box 25 | 327 mm x 115 mm x 321 mm | 1067.25 g | 12.07 dm ³ |
| 4050300562551 | Folding carton box 2 | 90 mm x 62 mm x 105 mm | 68.20 g | 0.59 dm ³ |
| 4050300639710 | Shipping carton box 48 | 223 mm x 220 mm x 385 mm | 1834.00 g | 18.89 dm ³ |

Disclaimer

Subject to change without notice. Errors and omission excepted. Always make sure to use the most recent release.